



IFS-500C

5x 10/100Base-TX Fast Ethernet Switch
(Compact)



This model is a compact sized, unmanaged industrial grade Fast Ethernet switch with 5 10/100Base-TX ports that provide stable and reliable Ethernet transmission. Housed in rugged DIN rail or wall mountable enclosures, these switches are designed for harsh environments, such as industrial networking, intelligent transportation systems (ITS) and are also suitable for many military and utility market applications where environmental conditions exceed commercial product specifications (See Figure 1). Standard operating temperature range models (-10 to 60°C) and wide operating temperature range models (-40 to 75°C) fulfill the special needs of industrial automation applications.

Features

- Wide range input power 12/24/48VDC (9.6~60VDC), or AC24V (18~36VAC)
- IP30 rugged metal housing and Fanless
- Compact size for easy installation
- Wide operating temperature -40 ~ 75°C (-E model)
- Very low power consumption
- Supports flow control
- CE, FCC, and EN50121-4 for railway traffic certification
- Heavy industrial grade EMS, EMI, EN61000-6-2, EN61000-6-4 certified

Specifications

IEEE Standard	IEEE 802.3 10Base-T Ethernet IEEE 802.3u 100Base-TX and 100Base-FX Fast Ethernet IEEE 802.3x Flow Control and Back Pressure								
Switch Architecture	Back-plane (Switching Fabric) : 1.0 Gbps Full wire-speed								
Data Processing	Store and Forward								
Transfer Rate	14,880pps for Ethernet port 148,800pps for Fast Ethernet port								
Flow Control	IEEE 802.3x flow control, back pressure flow control								
MAC Address Table	1K								
Packet Buffer Size	448Kbits								
Network Connector	5x RJ-45 RJ-45 Port: Auto MDI/MDI-X function, 10/100Base-TX auto negotiation speed, Full/Half duplex								
Network Cable	10Base-T: 2-pair UTP/STP Cat. 5 cable EIA/TIA-568 100-ohm (100m) 100Base-TX: 2-pair UTP/STP Cat. 5 cable EIA/TIA-568 100-ohm (100m)								
Protocol	CSMA/CD								
LED	Per unit: Power (Green) RJ-45 Per port: Link/Active (Green), Speed 100 (Yellow)								
Reverse Polarity Protection	For DC input power protection								
Overload Current Protection	Supported								
Power Supply	DC 12/24/48V (9.6~60VDC) or AC 24V (18~36VAC) input power (Removable Terminal Block)								
Power Consumption	<table border="1"> <thead> <tr> <th>Input Voltage</th> <th>Power Consumption(Watt)</th> </tr> </thead> <tbody> <tr> <td>DC 12V</td> <td>0.9W</td> </tr> <tr> <td>DC 24V</td> <td>1.2W</td> </tr> <tr> <td>DC 48V</td> <td>2W</td> </tr> </tbody> </table>	Input Voltage	Power Consumption(Watt)	DC 12V	0.9W	DC 24V	1.2W	DC 48V	2W
Input Voltage	Power Consumption(Watt)								
DC 12V	0.9W								
DC 24V	1.2W								
DC 48V	2W								
Removable Terminal Block	Provides for input power (2 Pin)								
Operating Temperature	-10 ~ 60°C (IFS-500C) -40 ~ 75°C (IFS-500C-E)								
Operating Humidity	5% to 95% (Non-condensing)								

Storage Temperature	-40 ~ 85°C
Housing	Rugged Metal, IP30 Protection and Fanless
Dimensions	70 x 30 x 103 mm (D x W x H)
Weight	220g
Installation Mounting	DIN Rail mounting, or wall mounting (optional)
MTBF	1,738,327 Hours (MIL-HDBK-217)
Warranty	5 years
Certification	
EMC/EMS	CE
EMI (Electromagnetic Interference)	FCC Part 15 Subpart B Class A, CE
Railway Traffic	EN50121-4
Immunity for Heavy Industrial Environment	EN61000-6-2
Emission for Heavy Industrial Environment	EN61000-6-4
EMS (Electromagnetic Susceptibility) Protection Level	EN61000-4-2 (ESD) Level 3, Criteria B EN61000-4-3 (RS) Level 3, Criteria A EN61000-4-4 (Burst) Level 3, Criteria A EN61000-4-5 (Surge) Level 3, Criteria B EN61000-4-6 (CS) Level 3, Criteria A EN61000-4-8 (PFMF, Magnetic Field) Field Strength: 300A/m, Criteria A
Shock	IEC 60068-2-27
Freefall	IEC 60068-2-32
Vibration	IEC 60068-2-6

Application

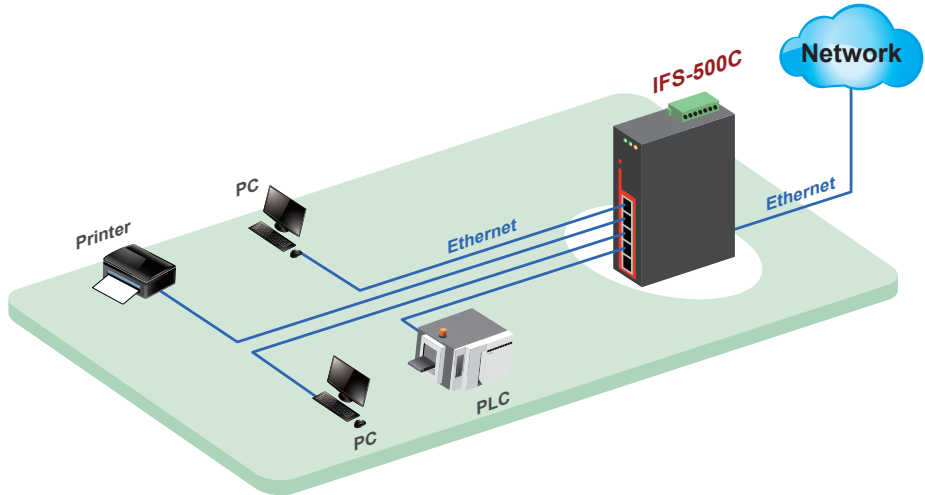
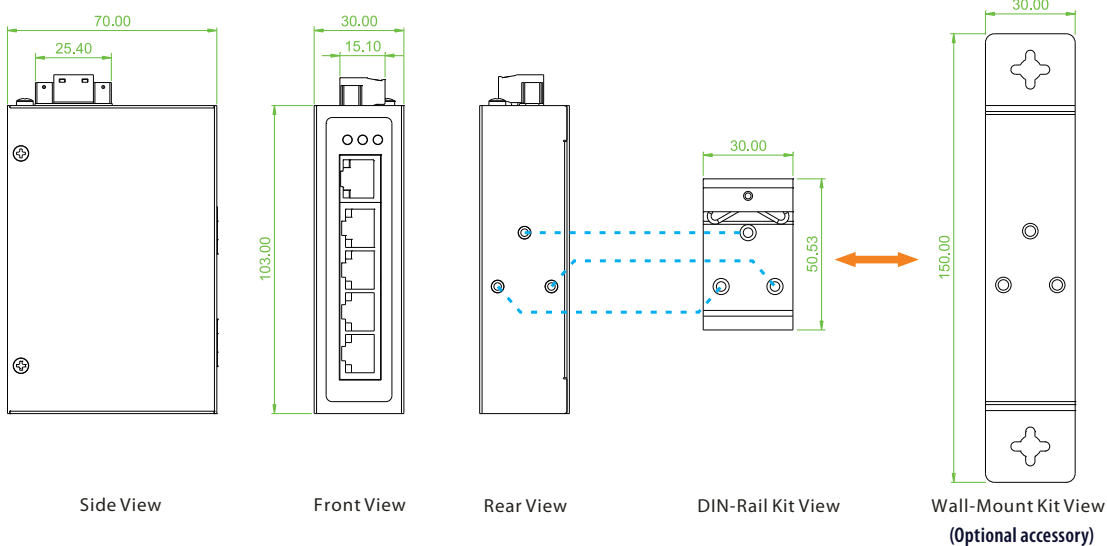


Figure 1 : IFS-500C Fast Ethernet Switch Transmission

Dimensions

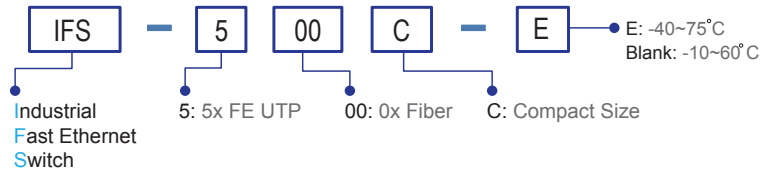


5 Industrial Unmanaged FE Switch

Ordering Information

Model Name	Total Port	RJ45 UTP port	Power input	Certification				Operating Temperature
		10/100Base-TX	Single power	Railway EN50121-4	EN61000-6-2 EN61000-6-4	CE	FCC	
IFS-500C	5	5	12/24/48VDC, 24VAC	V	V	V	V	-10~60°C
IFS-500C-E	5	5	12/24/48VDC, 24VAC	V	V	V	V	-40~75°C

Model Naming Rule



Optional Accessories

Wall mount kit Accessories

IND-WMK03	Wall Mount kit for Industrial product (Compact, 150 x 30mm)
-----------	---

Package List

- IFC-500C device
- Quickly installation guide
- Din Rail with screws
- Terminal block