



## FRM220-FOM01

### E1/T1 + FE Fiber Multiplexer

The FRM220-FOM01 is a single channel E1/T1 fiber multiplexer with an additional wire speed 100M Ethernet trunk, plus clear channel RS-232, for placement the FRM220 series. When the FRM220-FOM01 card is placed in the FRM220 rack with NMC, the management can view the converter card's status, type, version, fiber link status and alarms. Remote, fiber connected standalone card, can also be managed through in-band management via the chassis NMC. The card can be configured to enable or disable the port, reset the port, and provide local or remote diagnostic loopback. The optical aggregate of this multiplexer employs either a fixed transceiver or industry standard pluggable optics (SFP) operating at OC3/STM-1 data rates (155M). The SFP modules can be chosen to support single-mode, multi-mode, single fiber bi-directional or Coarse and Dense Wave Division Multiplexing (CWDM and DWDM).

### Feature

- 1 channel unframed E1/T1 (transparent)
- 10/100Base-TX Ethernet (100M wirespeed)
- Auto MDI/MDIX & Auto-Negotiation or Force Mode
- Supports flow control & 9K jumbo packets
- Supports link fault Pass-Through for Ethernet
- Supports Digital Diagnostics Monitoring Interface (DDMI) SFP
- Loopback test on E1/T1, fiber ports
- Supports local or remote In-band management by SNMP manager
- Local management by console port via FRM220-CH01M chassis
- Supports On-Line F/W upgrade & Dying Gasp

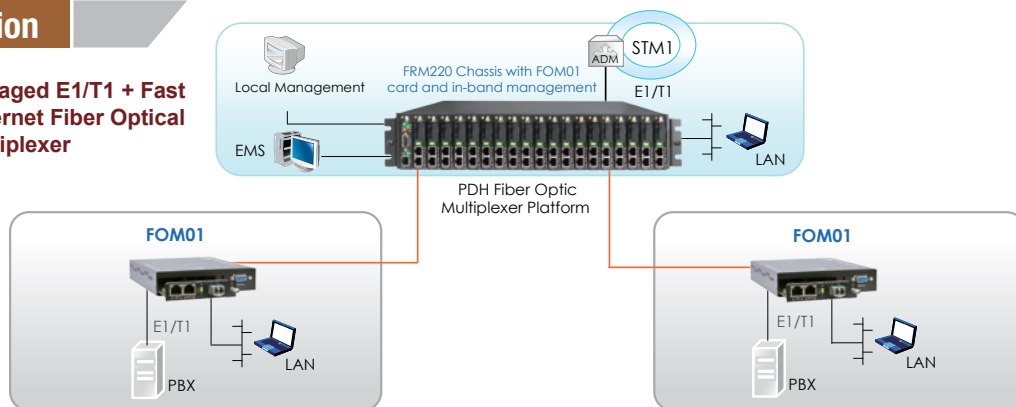
### Specifications

<b>E1/T1 ports</b>	Framing	Unframed (transparent)
	Bit Rate	E1:2.048 Mb/s, T1: 1.544Mb/s
	Line Code	E1:AMI/HDB3, T1: AMI/B8ZS
	Line Impedance	E1: Unbalanced 75 ohms (BNC)
		E1: Balanced 120 ohms (RJ-45)
		T1: Balanced 100 ohms (RJ-45)
	Receiver sensitivity	Short haul
	"Pulse" Amplitude	Nominal 3.37V+/-10% for 75 ohms
		Nominal 3.00V+/-10% for 120 ohms +/-0.3V
	"Zero" Amplitude	w/external clock card option
	Internal Timing	+/-30 ppm
	Jitter Performance	According to ITU-T G.823
	Performance monitoring	According to ITU-T G.821
	Standards	ITU-T G.703, G.704, G.706 and G.732
<b>E1/T1 ports</b>	Interface Connectors	RJ-45
	Test Loops	LLB (Local Loop Back)
		RLB (Remote Loop Back)

<b>Fiber</b>	Connector	SFP LC
	Data Rate	155 Mbps
<b>Ethernet</b>	Interface Type	10/100Base-TX
	Connector	RJ-45
	Standards	IEEE 802.3, 802.3u
	Duplex modes	full/half
<b>Indications</b>	Power FX Link, E1/T1 Mode/Link/Loopback test, LAN Link/Speed	
<b>Power Input</b>	12VDC	
<b>Power Consumption</b>	< 4W	
<b>Dimensions</b>	Card: 155 x 20.8 x 88mm (D x W x H)	
<b>Weight</b>	130g	
<b>Temperature</b>	0 ~ 50°C (Operating), -10 ~ 70°C (Storage)	
<b>Humidity</b>	10 ~ 90% RH (non-condensing)	
<b>Certifications</b>	CE, FCC	

### Application

#### Managed E1/T1 + Fast Ethernet Fiber Optical Multiplexer



### Ordering Information

Model Name	Description
FRM220-FOM01-SR	E1/T1 RJ-45 and 100Mbps Ethernet Fiber Optic Multiplexer (optional SFP module)
FRM220-FOM01-SB	E1 BNC and 100Mbps Ethernet Fiber Optic Multiplexer (optional SFP module)

Connector Type    Connectivity Distance

FMC220 – FOM01 –  –

Example: FMC220 – FOM01 – SR – SC002

**Note:** This card must use CH01M with serial console, to configure standalone settings. When connected as a remote to a managed central chassis, this card supports in-band management and only needs a CH01 chassis.