



FRM220-GFOM08

8x E1/T1+ GbE Fiber Multiplexer

The FRM220-GFOM08 is an 8 channel E1/T1 fiber multiplexer with an additional Gigabit Ethernet trunk, plus order wire and clear channel RS-232, constructed as a two slot wide card for the FRM220 series. When the FRM220-GFOM08 card is placed in the FRM220 rack with NMC, the management can view the converter card's status, type, version, fiber link status and alarms. Remote, fiber connected standalone card, can also be managed through in-band management via the chassis NMC. The card can be configured to enable or disable the port, reset the port, and provide local or remote diagnostic loopback. The 1+1 redundant optical aggregate of this multiplexer employs industry standard pluggable optics (SFP) operating at 1.25Gbps data rates. The SFP modules can be chosen to support single-mode, multi-mode, single fiber bi-directional or Coarse and Dense Wave Division Multiplexing (CWDM).

Feature

- 8 channels unframed E1/T1 (transparent)
- 10/100/1000Base-T Ethernet
- Auto MDI/MDIX & Auto-Negotiation or Force Mode
- Supports flow control 802.3x & 9K jumbo packets
- Supports link fault Pass-Through for Ethernet
- One clear channel RS232 up to 250Kbps(Async)
- 1+1 fiber protection, less than 50ms
- Supports Digital Diagnostics Monitoring Interface (DDMI) SFP
- AIS on signal loss on E1/T1 and fiber port
- Loopback test on E1/T1, RS232, fiber ports
- Supports local or remote In-band management (Monitor or Configure status) by SNMP manager and console port
- Supports Order wire Ear / Microphone port
- Supports On-Line F/W upgrade & Dying Gasp

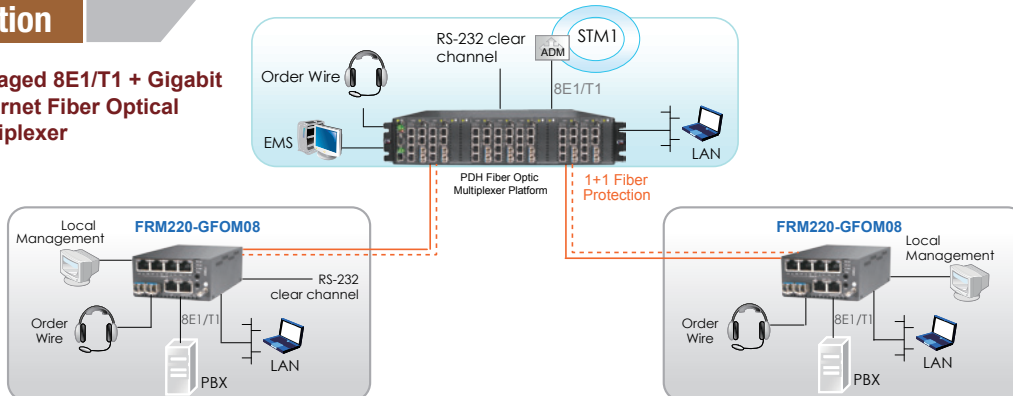
Specifications

E1/T1 ports	Framing	Unframed (transparent)
	Bit Rate	E1:2.048 Mb/s , T1: 1.544Mb/s
	Line Code	E1:AMI/HDB3, T1: AMI/B8ZS
	Line Impedance	E1: Unbalanced 75 ohms (BNC)
		E1: Balanced 120 ohms (RJ-45)
		T1: Balanced 100 ohms (RJ-45)
	Receiver sensitivity	Short haul
	"Pulse" Amplitude	Nominal 2.37V+/-10% for 75 ohms
		Nominal 3.00V+/-10% for 120 ohms
	"Zero" Amplitude	+/-0.3V
	Internal Timing	+/-30 ppm
	Jitter Performance	According to ITU-T G.823
	Performance monitoring	According to ITU-T G.821
Standards	ITU-T G.703, G.704, G.706 and G.732	
Interface Connectors	RJ-45	
E1/T1 ports	Test Loops	LLB (Local Loop Back) NELB (Near End Loop Back)

E1/T1 ports	Test Loops	RLB (Remote Loop Back) RRLB (Request Remote Loop Back)
	Fiber	Connector SFP LC Data Rate 1.25 Gbps
Ethernet	Interface Type	10/100/1000Base-T
	Connector	RJ-45
	Standards	IEEE 802.3, 802.3u, 802.3ab
Indications	Duplex modes	full/half
	Power Input	FX1 Link, FX2 link, E1/T1 Mode/Link/Loopback test, Order wire phone indicator, LAN Link/Speed. 12VDC
Power Consumption	< 12W	
Dimensions	Card: 155 x 42.1 x 88mm (D x W x H)	
Weight	200g	
Temperature	0 ~ 50°C (Operating), -10 ~ 70°C (Storage)	
Humidity	10 ~ 90% RH (non-condensing)	
Certifications	CE, FCC	

Application

Managed 8E1/T1 + Gigabit Ethernet Fiber Optical Multiplexer



Ordering Information

Model Name	Description
FRM220-GFOM08-SR	8x E1/T1 RJ45 and 1000Mbps Ethernet Fiber Mux with 4x2E1 RJ45 cable, optional SFP module (Model : SFS-70xx-xx)
FRM220-GFOM08-SB	8x E1 BNC and 1000Mbps Ethernet Fiber Mux with 4x2E1 BNC cable, optional SFP module (Model : SFS-70xx-xx)



2E1 RJ45 cable

Note: This card may be locally configured by its own console when placed in CH02M with fan. When connected as a remote to a managed central chassis, this card supports in-band management and only needs a CH02M chassis.