



ERM-MUX-Plus

4x E1 Multiplexer

11

TDM Series

The ERM-Mux-plus is a 4U 19(23)" 14-slot rack type E1 Time Division Multiplexer for Fractional E1 network access which is designed for non-stop operation. There are 10 slots available for hot-swappable ERM-Mux-plus-I/O cards. Two slots are provided for Mux-E1 cards, which may be configured for redundant 1+1 operation of the E1 lines, safe guarding against expensive network down time. Two slots are also available for CPU cards, with the second CPU card acting as a hot standby in case of primary card failure. Each Mux-E1 card may be linked to another ERM-Mux-plus Rack to provide a point-to-point variety of datacom, Ethernet & voice over E1 network services. The ERM-Mux-plus optionally accommodates up to two separate power supplies, which may derive power from AC (110/220) or DC (-48V) power sources. When two power supplies are installed, the modules provide complete power redundancy and are hot swappable even during the E1 cards' transmission. The ERM-Mux-plus provides all interface connections on the front panel. BNC and RJ-45 are used for E1 Line interface connections, RJ-45 connections are used for all voice (FXO, FXS, E&M), for 10/100 Ethernet Bridge and G.703-64K co-directional / contra-directional / center. Optional cable adapters are used to convert the DB-62F DCE ports of the I/O cards to 6xRS-232, HP68F DCE port of I/O card to 4x V.35, RS-232, RS-530, RS-449, RS-422 and X.21 or 5x X.50 channels.

Feature

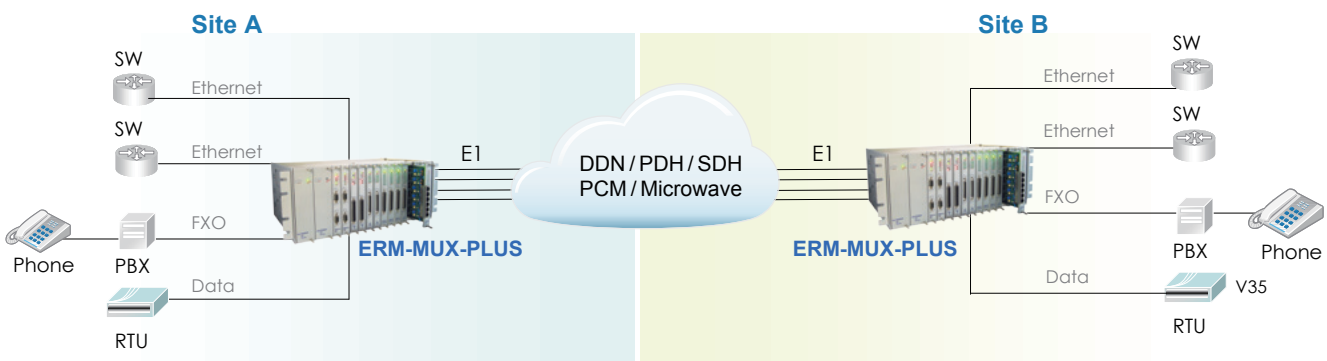
- CPU redundancy (1+1)
 - E1 redundancy (1+1) and E1 card redundancy
 - Power redundancy (1+1) [2AC, 2DC, AC+DC]
 - Drop & Insert function
 - Console, NMP, SNMP, management
- DCE hot swappable card types
 - 6ch FXS voice
 - 6ch FXO voice
 - 6ch E&M voice
 - 6ch RS232
 - 4ch V.35 (nx64K)
 - 4ch G.703 64K co-directional /contra-directional / center mode
 - 2ch Ethernet bridge

Specifications

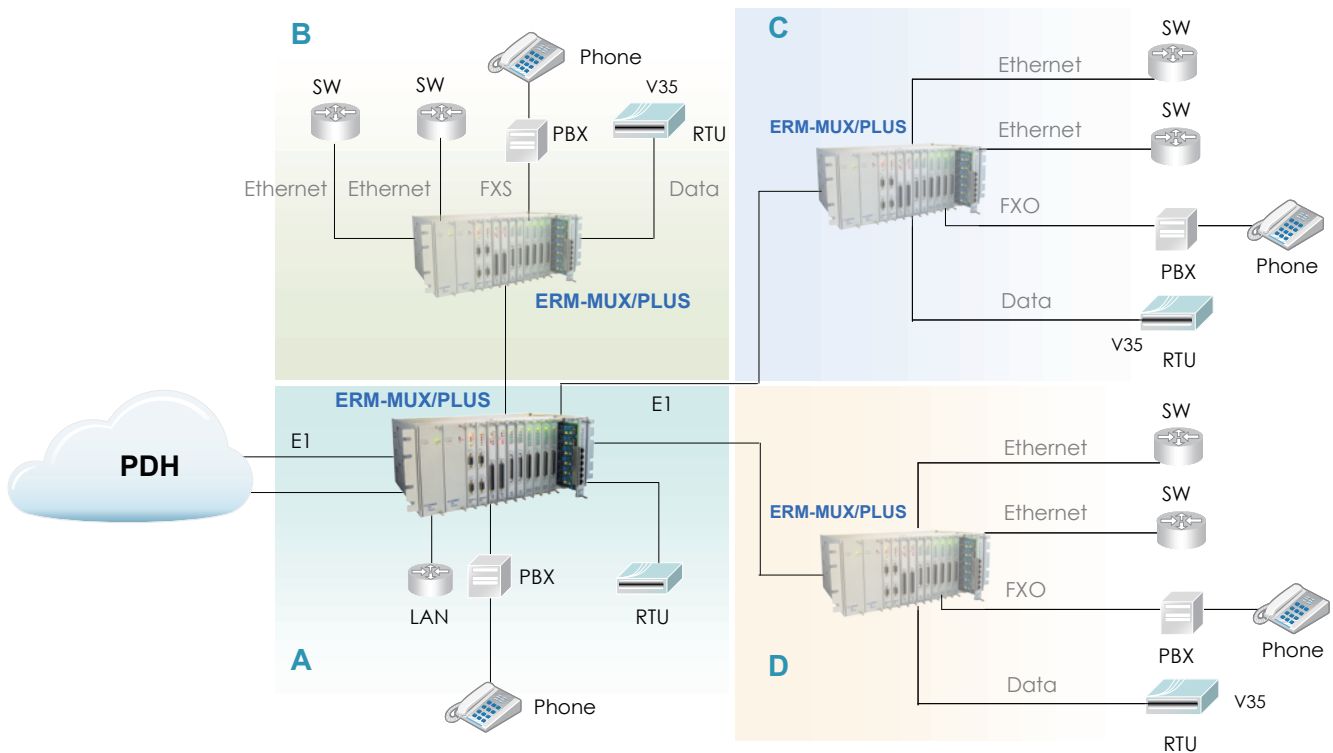
Connectors	Console port (RJ45, RS232C)	Environmental	Operating 0°C ~ 60°C
Physical	WAN port RJ45 Jack (2-wire, 4-wire)	Specifications	Storage 0°C ~ 70°C Relative humidity 0% ~ 90% non-condensing Predicted MTBF : 65,000 hrs (25°C)
Specifications	Dimensions: 350 x 438 x 176mm (W x D x H)	Certification	CE
Power Characteristics	Weight: 8kg (chassis+dual power+8 I/O cards) 0.45kg per card		

Application

Connection with PBX (Private Branch Exchange)



The extension and expansion of DDN (Distributed Data)



Ordering Information

Model Name	Type	Description
ERM-MUX-PLUS/AA-CH	Chassis	4U 19" 14 slot Chassis for AC+AC power
ERM-MUX-PLUS/DD-CH	Chassis	4U 19" 14 slot Chassis for DC+DC power
ERM-MUX-PLUS/AD-CH	Chassis	4U 19" 14 slot Chassis for AC+DC power
ERM-MUX/AC	Power	AC Power plug-in module (90 to 250 VAC)
ERM-MUX/ACV	Power	AC Power plug-in module (90 to 250 VAC) with Voice support
ERM-MUX/DC	Power	DC Power plug-in module (±36 to ±76 VDC)
ERM-MUX/DCV	Power	DC Power plug-in module (±36 to ±72 VDC) with Voice support
ERM-MUX-PLUS/GUI	Management	GUI for ERM; support Windows 95, 98, 2000, XP
ERM-MUX-PLUS-2E1R	Card	2-Ch Main-E1 LTU card(V1.2); w/DB37M to 2xRJ45 cable
ERM-MUX-PLUS-2E1B	Card	2-Ch Main-E1 LTU card(V1.2); w/DB37M to 2xBNC cable
ERM-MUX-PLUS-8E1R	Card	8-Ch Main-E1 LTU card(V1.2); w/DB37M to 8xRJ45 cable
ERM-MUX-PLUS-8E1B	Card	8-Ch Main-E1 LTU card(V1.2); w/DB37M to 8xBNC cable
ERM-MUX-PLUS-CPU	Card	CPU card (V4.3) for NMP management
ERM-MUX-PLUS-SNMP	Card	SNMP card (V2.2) for NMP management
ERM-MUX-PLUS-FXO	Card	6-Ch FXO interface card(V2.1)
ERM-MUX-PLUS-FXS	Card	6-Ch FXS interface card(V4.1)
ERM-MUX-PLUS-E&M	Card	6-Ch 2/4 wires E&M voice interface card (V4.1) (Tx/Rx range -20dB ~ +8dB)
ERM-MUX-PLUS-E&M+	Card	6-Ch 2/4 wires E&M voice interface card (V4.1) (Tx range -12dB ~ +16dB, Rx range -20dB ~ +8dB)
ERM-MUX-PLUS-RS-232	Card	6-Ch RS-232 interface card, 64k/128kbps(Sync), 19.2k/38.4kbps(Async)
ERM-MUX-PLUS-ASYNC	Card	6-Ch RS-232 interface card, 9.6k/19.2kbps(Sync), 19.2k/38.4kbps(Async) with multi rate clock function.
ERM-MUX-PLUS-G64K	Card	4-Ch G.703 64k interface card (V4.0)
ERM-MUX-PLUS-HS-SERIAL	Card	4-Ch V.35/X.21/RS-449/RS-530 interface card
ERM-MUX-PLUS-RS485	Card	6-Ch RS-485 / RS-422 Interface card
ERM-MUX-PLUS-ET100	Card	2-Ch Ethernet(10/100Base-TX) interface card (V4.0)

Card Type
ERM – MUX– PLUS –
 Example: ERM – MUX– PLUS – 2E1R