

iSAP5100

4.5U, Data, Ethernet, Voice STM1/ E1 Managed Multiplexer



12

Managed STM1/E1
access multiplexer

The iSAP5100 is a 4.5U 19" 18 slots rack type STM1 / E1 Time Division Multiplexer for fractional E1 network access, which is designed for non-stop operation. There are 18 slots available for hot-swappable iSAP5100 I/O cards. Two slots are provided for CPU Controller cards and two slots are provided for power supplies. Uplink supports STM1 fiber and E1 copper, two types of connection, maximum up to 144x E1 cross connect for Voice and Data. The iSAP5100 accommodates up to two separate power supplies, which may derive power from AC (110/220) or DC (-36~72V) power sources. When two power supplies are installed, the modules provide complete power redundancy and are hot swappable even during the E1 cards' transmission. The iSAP5100 provides STM1 fiber and E1 copper uplink with a the maximum E1 support of up to 96 E1 channels with cross connection for Voice and Data or interface including RS232, V.35, G703/64K, FXS, FXO, ET100 and E&M.

Interface Cards

Control card: 5100-MS-DM-96, 5100-MS-DM-155

E1 card: 5100-8E1, 5100-16E1

Power modules: 5100-AC240, 5100-DC240

I/O cards: 5100-RS232, 5100-RS232/C, 5100-G703/64K, 5100-V35, 5100-ET100, 5100-E&M, 5100-FXS, 5100-FXO

Features

- Supports STM1 and E1 uplink
- Supports MAX. 144xE1 with full cross-connect ; Supports DSO cross-connect
- Supports 16 channel main E1 LTU card
- Supports E1 time slot broadcast function
- Modular design for voice IO card, supports 8-port FXO/FXS
- All modules and cards support hot-swapping
- Multi-Interface: DCE card types included Nx64k(V35) RS232 (Sync/Async), V.35 G703-64K, ET100, E&M, FXO, FXS...etc
- Supports console telnet, GUI and SNMP management
- Available types of power built-in : AC+AC, AC+DC, DC+DC
- Modular design, 4.5U 19", 18-slot for IO cards

Specifications

5100-MS-DM-96	
Interface	10/100Base-TX Ethernet RJ45 port
Console	RS232
E1 Cross Connect	144xE1 Transparent cross connect , Supports E1 time slot mapping / broadcast function
CAS Cross Connect	Supports 16 time slot CAS follow voice time cross connect
5100-MS-DM-155	
Interface	Supports 1-port STM-1 155M SFP Slot on CPU card, CPU redundancy (1+1)
NMS	10/100Base-TX
Console	RS232
E1 Cross Connect	155M fiber to 63E1 and 144xE1 cross connect, supports E1 /time slot mapping/broadcast function
CAS Cross Connect	Supports time slot 16 CAS follow voice time cross connect
STM-1/E1 Drop/Insert	Supports STM-1 63E1*32TS to E1/IO slot 128E1*32TS connection
5100-8E1 / 5100-16E1	
Interface	Supports 8E1/16E1 interface
Line Impedance	120 / 75 ohms
Frame format	CAS (PCM30)/CCS (PCM31)
Connector	RJ45
5100-RS232	
Data rate	≤38.4kbps Async or 64/128kbps Sync
Ports	6-port
Interface	RS232
5100-V35	
Interface types	V.35
Connector	HD68F (female) with cable adapter
Line code	NRZ
Data rate	Nx64kbps

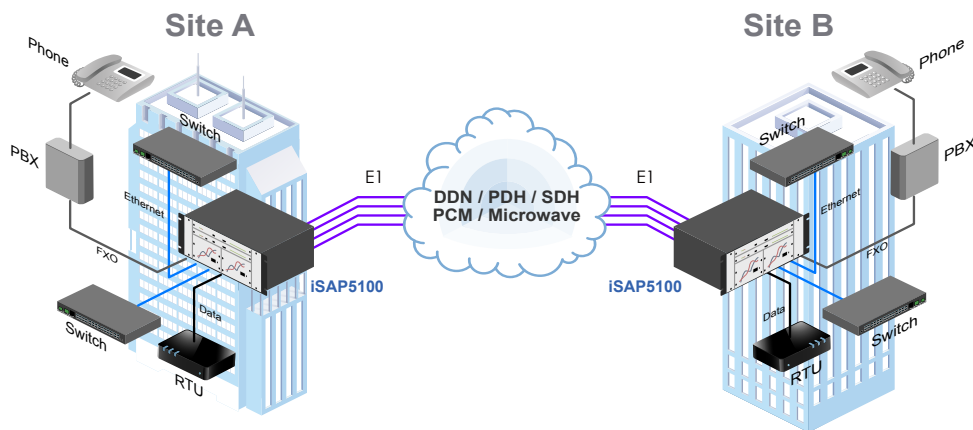
5100-RS232/C	
Data rate	9600bps, 19.2Kbps Sync/Async
Ports	6-port
Interface	RS232
5100-G.703/64K	
Data rate	64Kbps, Co-directional/Contra-directional and Centra-directional
Ports	4-port
Connector	RJ45
5100-ET100	
Standards	IEEE 802.3, 802.3u
MDI/MDIX	Auto
Data rate	10/100Mbps
Encapsulation	HDLC
Ports	4-port
Connector	RJ45
5100-E&M	
Loop current	25 mA, maximum 70mA
Ports	8-port
Connector	RJ45
5100-FXS	
ITU-T Standard	G.712/G.713/G.714
Line resistance	600Ω
Off-hook current	25mA
Line distance	2km
Ports	8-port
On-hook current	10mA+/-3mA
Effective Ring	Frequency: 25Hz Voltage: 75V, peak to peak110V MAX line resistance: 1500Ω
Connector	RJ45

5100-FXO	
ITU-T Standard	G.712, G.713, G.714
Line resistance	600Ω
Line distance	2km
Ports	8-port
Caller ID	Supports DTMF, FSK Standard
Connector	RJ45

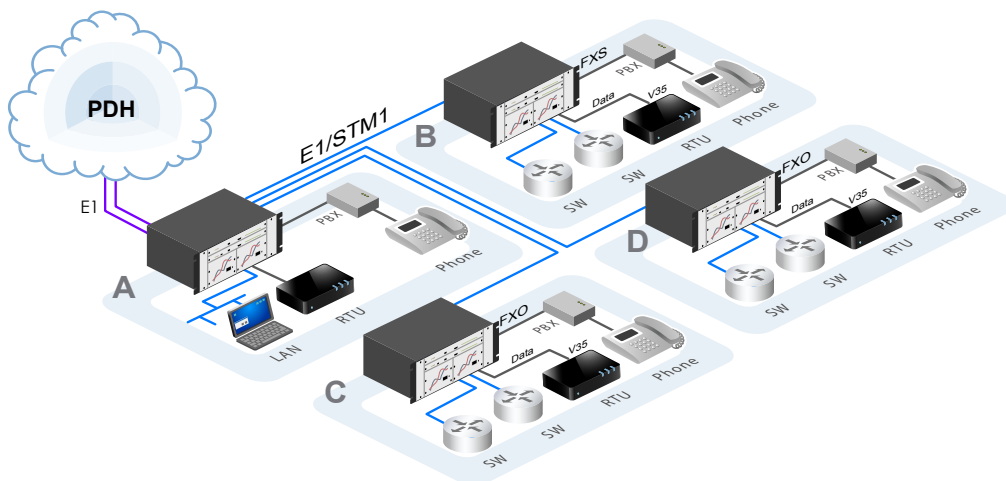
Electrical & Mechanical	
Dimensions	350 x 440 x 187 mm (D x W x H)
Environmental	Operating: 0~60°C Storage:-25~70°C Humidity: 10~90%, non-condensing
Power	AC 220V : 165~265V, 50~60Hz AC 110V, AC 220V : 90~265V,50~60Hz
Power Consumption	< 90W

Application

Connection with PBX (Private Branch Exchange)



The extension and expansion of DDN (Distributed Data)



Ordering Information

Model Name	Type	Description
iSAP5100-CH	Chassis	4.5U 19" 18-slot Chassis
iSAP5100/AC	Power	AC Power plug-in module (90 to 250 VAC)
iSAP5100/DC	Power	DC Power plug-in module (±36 to ±76 VDC)
iSAP5100-8E1R	Main E1 card	8 channels Main-E1 LTU card: Fractional E1 RJ45
iSAP5100-16E1R	Main E1 card	16 channels Main-E1 LTU card: Fractional E1 RJ45
iSAP5100-MS-DM-96	CPU-card	CPU card for 96x E1
iSAP5100-MS-DM-155	CPU-card	CPU card for STM-1
iSAP5100-FXO	Voice Card	8 channels FXO interface card
iSAP5100-FXS	Voice Card	8 channels FXS interface card
iSAP5100-E&M	Voice Card	8 channels 2/4 wires E&M voice interface card
iSAP5100-RS-232	RS-232 card	6 channels RS-232 interface card 38.4kbps, Low speed: 64kbps or 128kbps sync DEC
iSAP5100-RS-232C	RS-232 card	6 channels RS-232 (V.24) interface card, Low speed: 128kbps, 19.2kbps Async with Multi-Clock function
iSAP5100-ET100	FE Card	4 channels Ethernet (10/100Base-TX) interface card (v4.0)
iSAP5100-G.703/64K	G703/64K Card	4 channels G703 64K interface card (v4.0)
iSAP5100-V35	V.35Card	4 channels Nx64K V.35 card with DB68 to 4 x M34 cable

Chassis
iSAP5100 - □□
 Example: iSAP5100 - CH

Card Type
iSAP5100 - □□□□
 Example: iSAP5100 - 8E1R